

adhesives

ceramics

chemicals

coatings

cosmetics

fine chemicals

foods

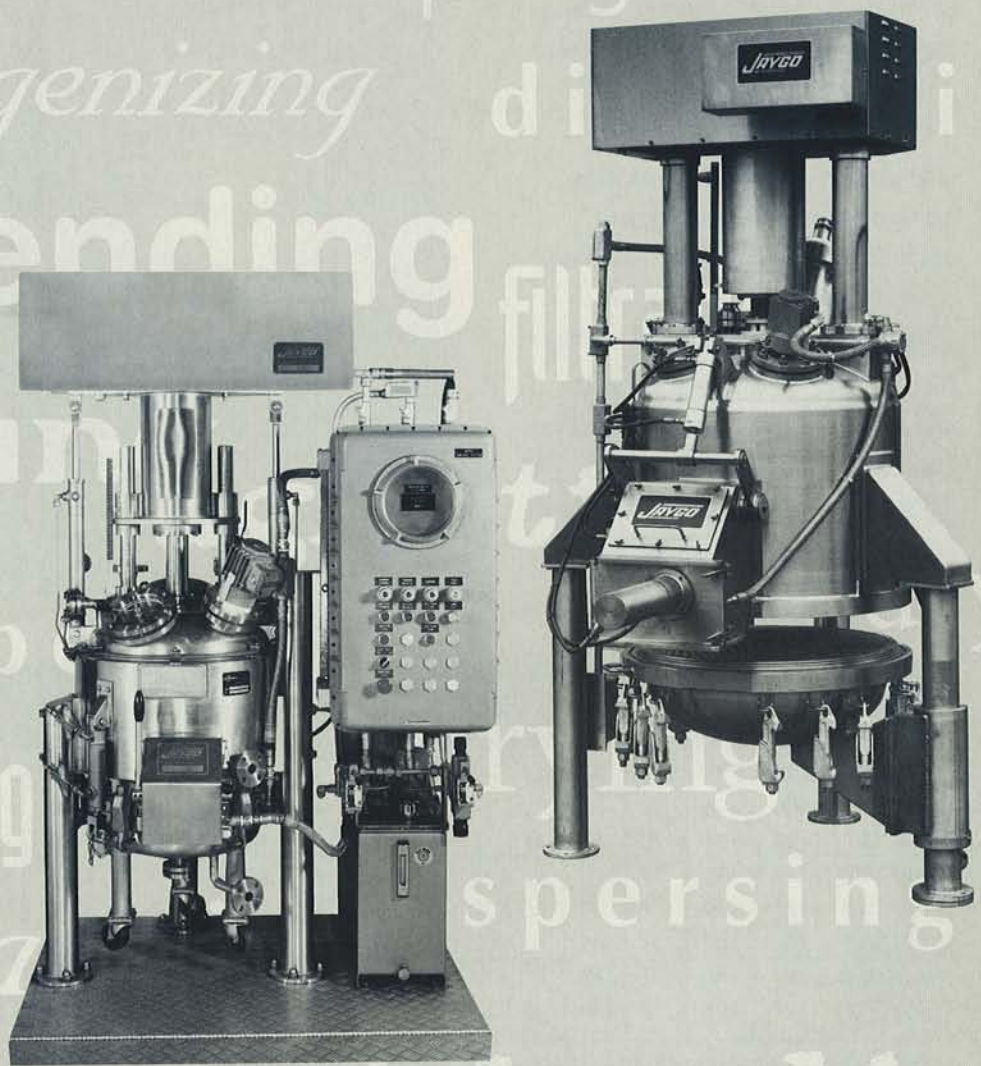
inks

pharmaceuticals

plastics



Agitated Filtration and Drying Systems



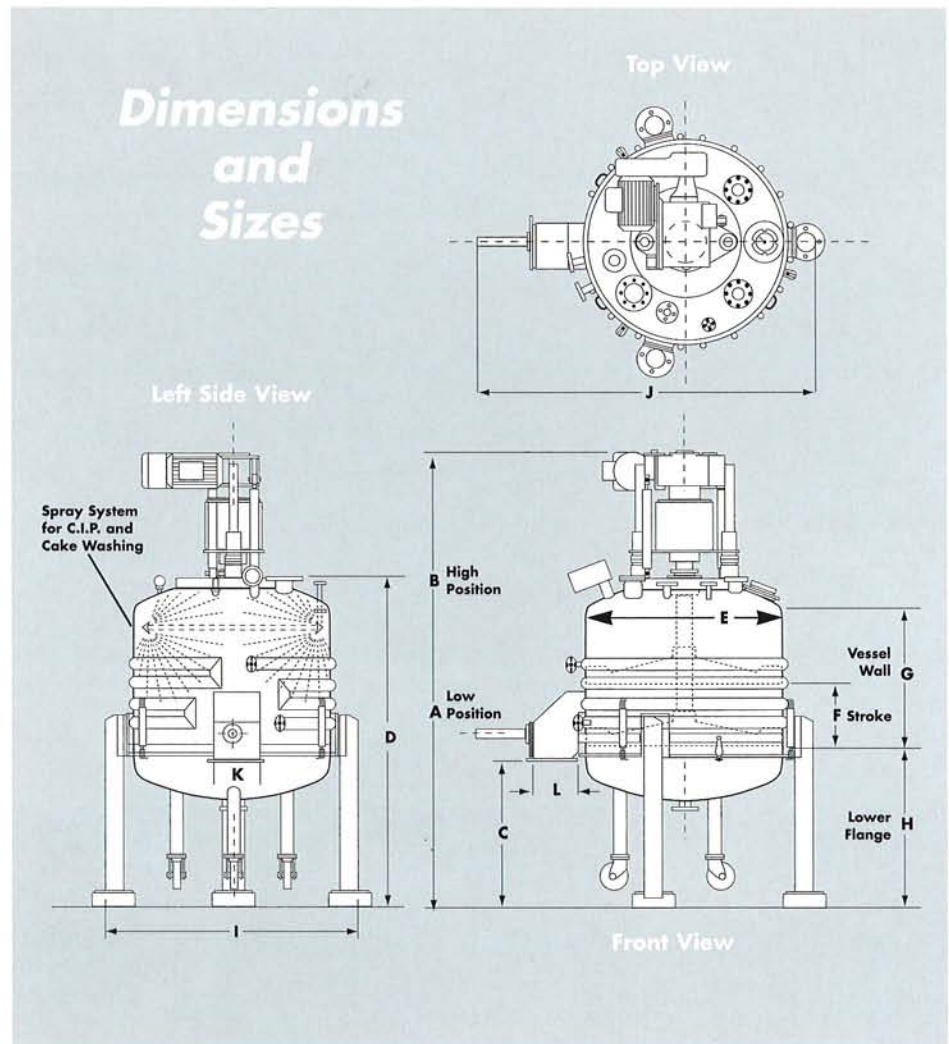
**21st Century Technology
For Today's Processing Equipment...
Designed & Built To Be The Best!**

Agitated Filtration and Drying Systems

The new self-contained, pressure/vacuum rated stainless steel or Hastelloy filter/dryer units are manufactured in the U.S.A. by Jaygo. The units are used in the fine chemical, chemical and pharmaceutical industries. What sets these units apart from conventional systems is the uniquely designed agitator and the ability to complete filtration and drying in one system. The agitator, with its variable speed and reverse capabilities, yields high quality products.

The design of the unit includes several process advantages including filtering, cake washing, cake smoothing, reslurry, re-filtering, mixing and final drying.

The filter can be operated with either pressure or vacuum and is built to ASME code standards. The filter base is removable for simple maintenance and installation of the filter cloth.



TYPES	OVERALL SIZES (IN.)												WEIGHT (LBS.)	SURF. AREA (FT. ² /M ²)	POWER (HP)	STROKE (IN.)	CAPACITY (LITERS)
	A	B	C	D	E	F	G	H	I	J	K	L					
APF 100	72	84	20	44	22	12	16	22	37	37	9	7	1500	2.6/.24	2/3	12	100
APF 500	100	115	30	65	33	16	22	33	49	70	14	9	3000	6.1/.57	5.5/7.5	16	375
APF 750	102	117	30	66	37	16	22	33	54	76	14	9	4000	7.6/.71	5.5/7.5	16	470
APF 1000	115	130	39	79	43	16	26	43	65	83	14	9	5000	10.2/.95	7.5/10	16	750
APF 1500	128	148	39	89	55	20	31	44	77	98	15	12	6000	16.6/1.54	10/12	20	1500
APF 2000	148	167	47	106	63	20	39	52	81	108	15	12	8000	21.6/2.01	15/20	20	2400
APF 3000	157	177	47	113	79	20	43	52	96	124	16	13	11000	33.8/3.14	20/25	20	4200
APF 5000	181	205	51	129	98	24	49	56	118	146	16	13	14000	52.8/4.91	30/40	24	7500

*Dimensions approximate and are for reference only. They are subject to change.



675 Rahway Avenue, Union, NJ 07083
 908/688-3600 • Fax: 908/688-6060
 E-Mail: jaygoinc@aol.com

Represented by: