

adhesives

ceramics

chemicals

coatings

cosmetics

fine chemicals

foods

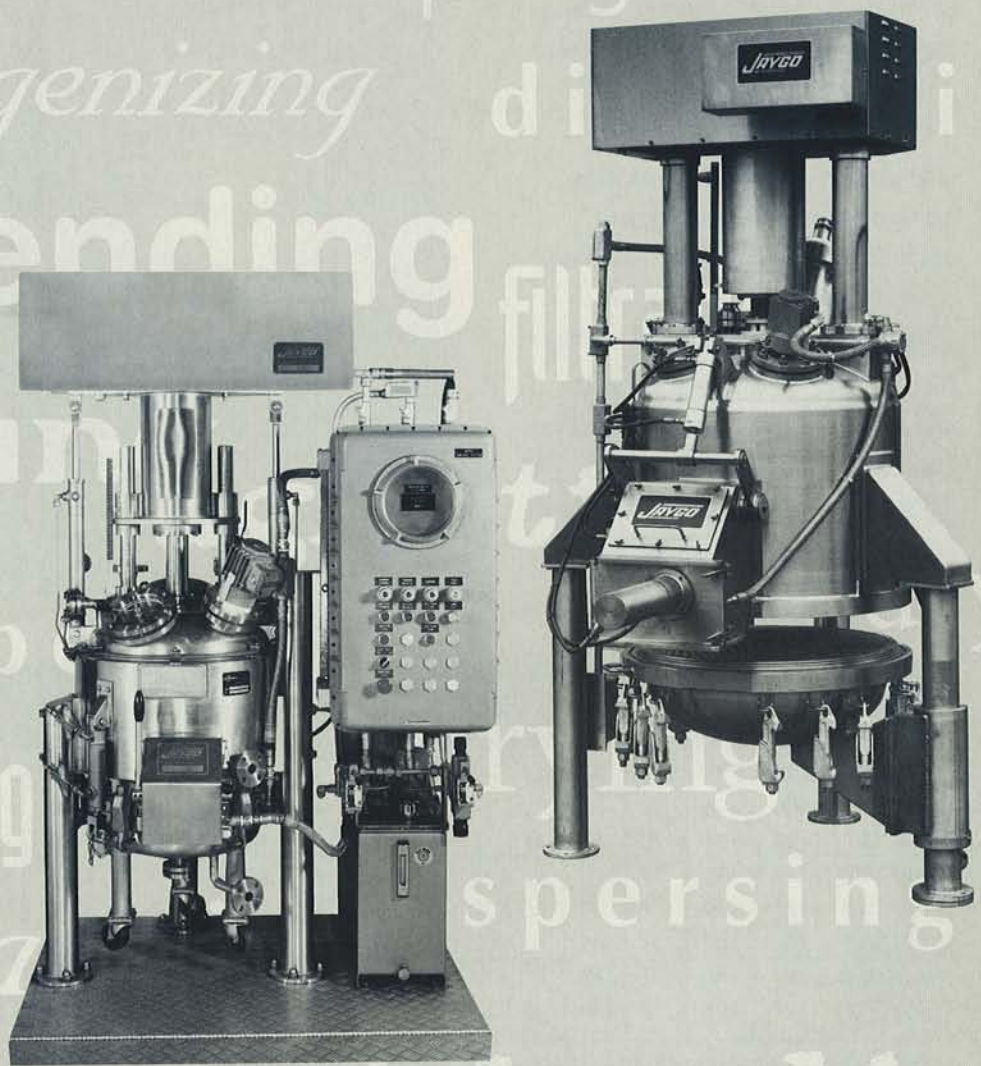
inks

pharmaceuticals

plastics



Agitated Filtration and Drying Systems



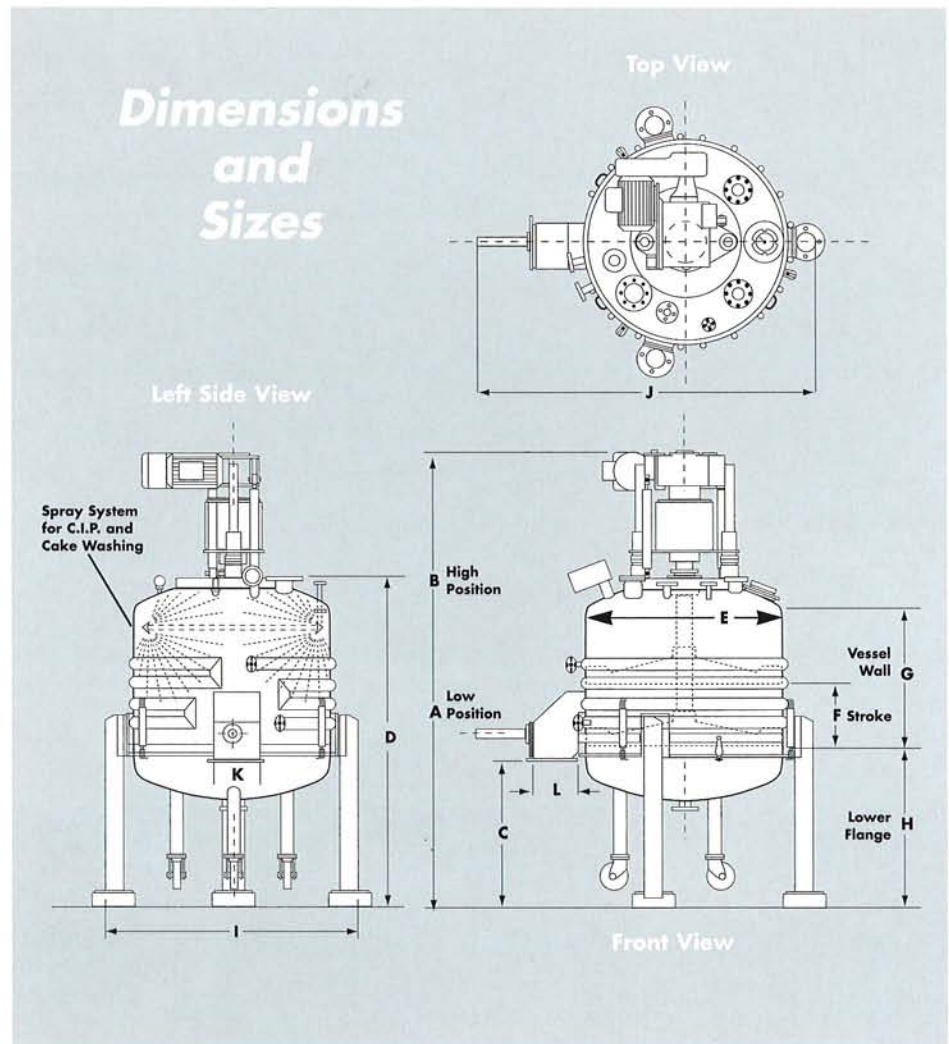
**21st Century Technology
For Today's Processing Equipment...
Designed & Built To Be The Best!**

Agitated Filtration and Drying Systems

The new self-contained, pressure/vacuum rated stainless steel or Hastelloy filter/dryer units are manufactured in the U.S.A. by Jaygo. The units are used in the fine chemical, chemical and pharmaceutical industries. What sets these units apart from conventional systems is the uniquely designed agitator and the ability to complete filtration and drying in one system. The agitator, with its variable speed and reverse capabilities, yields high quality products.

The design of the unit includes several process advantages including filtering, cake washing, cake smoothing, reslurry, re-filtering, mixing and final drying.

The filter can be operated with either pressure or vacuum and is built to ASME code standards. The filter base is removable for simple maintenance and installation of the filter cloth.



| TYPES | OVERALL SIZES (IN.) | | | | | | | | | | | | WEIGHT (LBS.) | SURF. AREA (FT. ² /M ²) | POWER (HP) | STROKE (IN.) | CAPACITY (LITERS) |
|----------|---------------------|-----|----|-----|----|----|----|----|-----|-----|----|----|---------------|--|------------|--------------|-------------------|
| | A | B | C | D | E | F | G | H | I | J | K | L | | | | | |
| APF 100 | 72 | 84 | 20 | 44 | 22 | 12 | 16 | 22 | 37 | 37 | 9 | 7 | 1500 | 2.6/.24 | 2/3 | 12 | 100 |
| APF 500 | 100 | 115 | 30 | 65 | 33 | 16 | 22 | 33 | 49 | 70 | 14 | 9 | 3000 | 6.1/.57 | 5.5/7.5 | 16 | 375 |
| APF 750 | 102 | 117 | 30 | 66 | 37 | 16 | 22 | 33 | 54 | 76 | 14 | 9 | 4000 | 7.6/.71 | 5.5/7.5 | 16 | 470 |
| APF 1000 | 115 | 130 | 39 | 79 | 43 | 16 | 26 | 43 | 65 | 83 | 14 | 9 | 5000 | 10.2/.95 | 7.5/10 | 16 | 750 |
| APF 1500 | 128 | 148 | 39 | 89 | 55 | 20 | 31 | 44 | 77 | 98 | 15 | 12 | 6000 | 16.6/1.54 | 10/12 | 20 | 1500 |
| APF 2000 | 148 | 167 | 47 | 106 | 63 | 20 | 39 | 52 | 81 | 108 | 15 | 12 | 8000 | 21.6/2.01 | 15/20 | 20 | 2400 |
| APF 3000 | 157 | 177 | 47 | 113 | 79 | 20 | 43 | 52 | 96 | 124 | 16 | 13 | 11000 | 33.8/3.14 | 20/25 | 20 | 4200 |
| APF 5000 | 181 | 205 | 51 | 129 | 98 | 24 | 49 | 56 | 118 | 146 | 16 | 13 | 14000 | 52.8/4.91 | 30/40 | 24 | 7500 |

*Dimensions approximate and are for reference only. They are subject to change.



7 Emery Avenue, Randolph NJ 07869
 Ph. 908 688 3600
 email: sales@jaygoinc.com
 www.jaygoinc.com

Represented by: